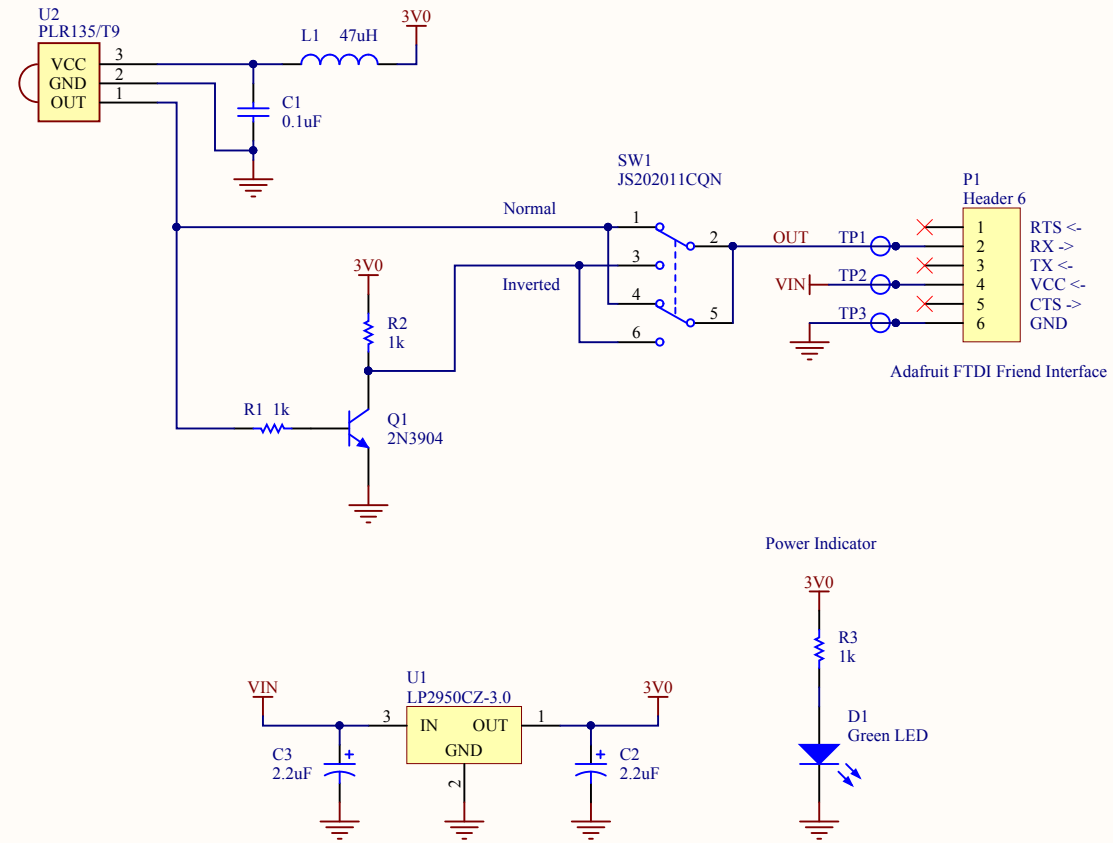


Insert target LED directly into sensor  
 or use TOSLINK (JIS F05) fiber optic cable  
 Peak wavelength sensitivity @ 650nm



NOTE: RESISTORS ARE IN OHMS +/- 5% AND CAPACITORS ARE IN MICROFARADS UNLESS OTHERWISE NOTED. SEE BOM FOR ACTUAL VOLTAGE AND SPECIFICATION.



TITLE Optical Receiver (Digital)					
DATE 12/10/2018	FILENAME	SIZE B	SHT 1	OF 1	DRAWN BY Joe Grand
				REV B	