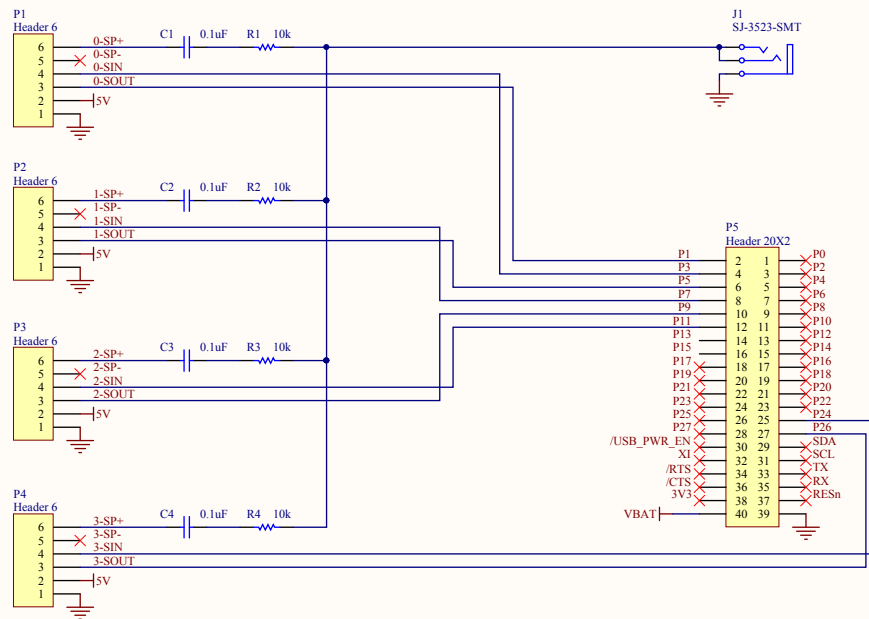


Emic 2 Text-to-Speech Module
Parallax #50016



NOTE: RESISTORS ARE IN OHMS +/- 5% AND CAPACITORS ARE IN MICROFARADS, X7R UNLESS OTHERWISE NOTED. SEE BOM FOR ACTUAL VOLTAGE AND SPECIFICATION.



TITLE					
Multi-Emic QuickStart Module					
DATE	FILENAME	SIZE	DRAWN BY		REV
.11/25/2012	.	B	Joe Grand		1.0

Distributed under a Creative Commons Attribution 3.0 US license