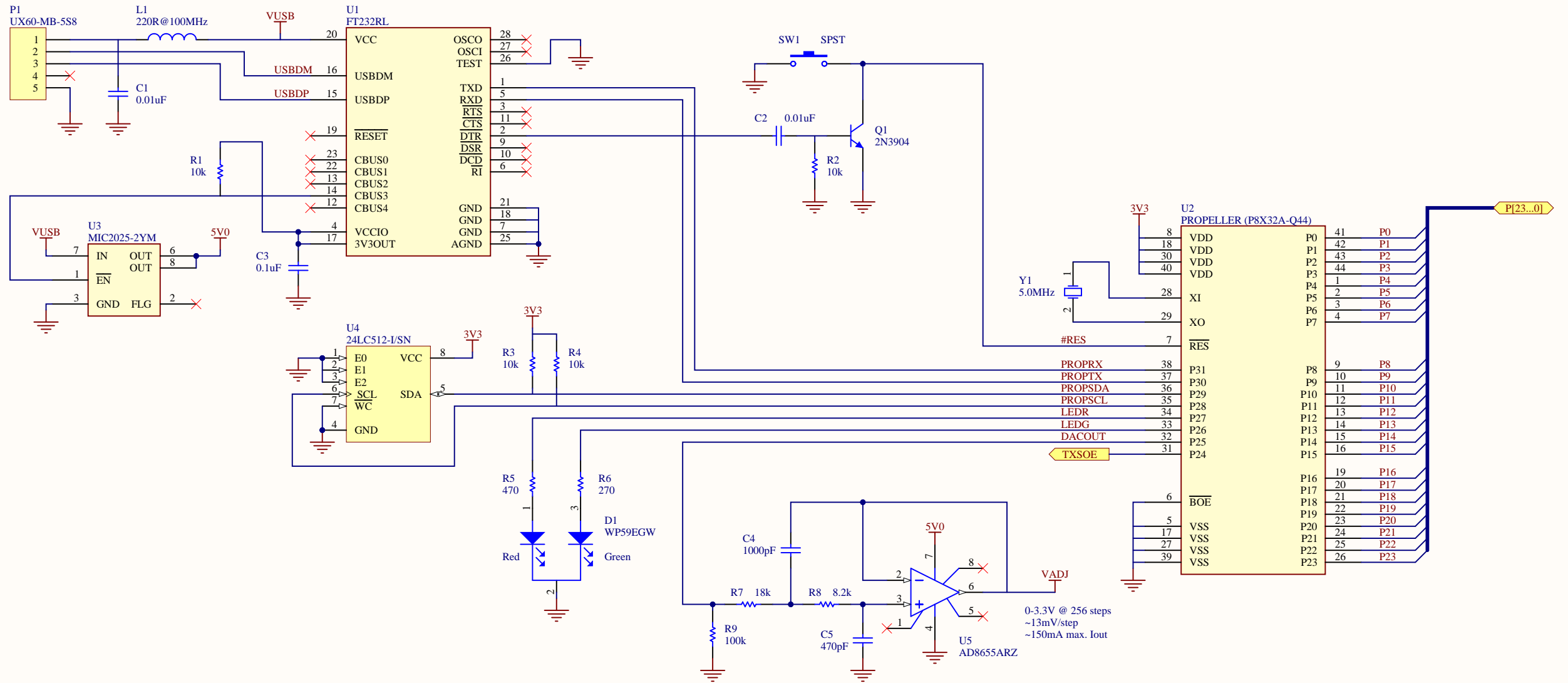
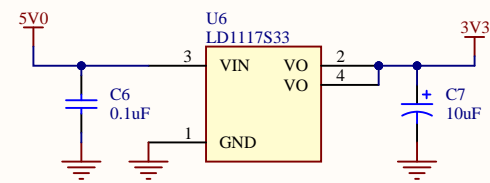
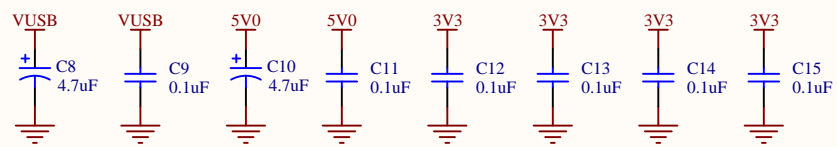


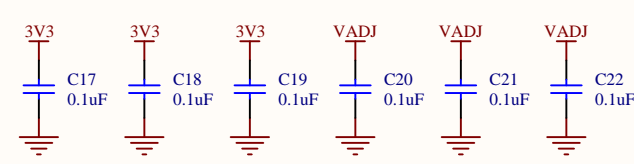
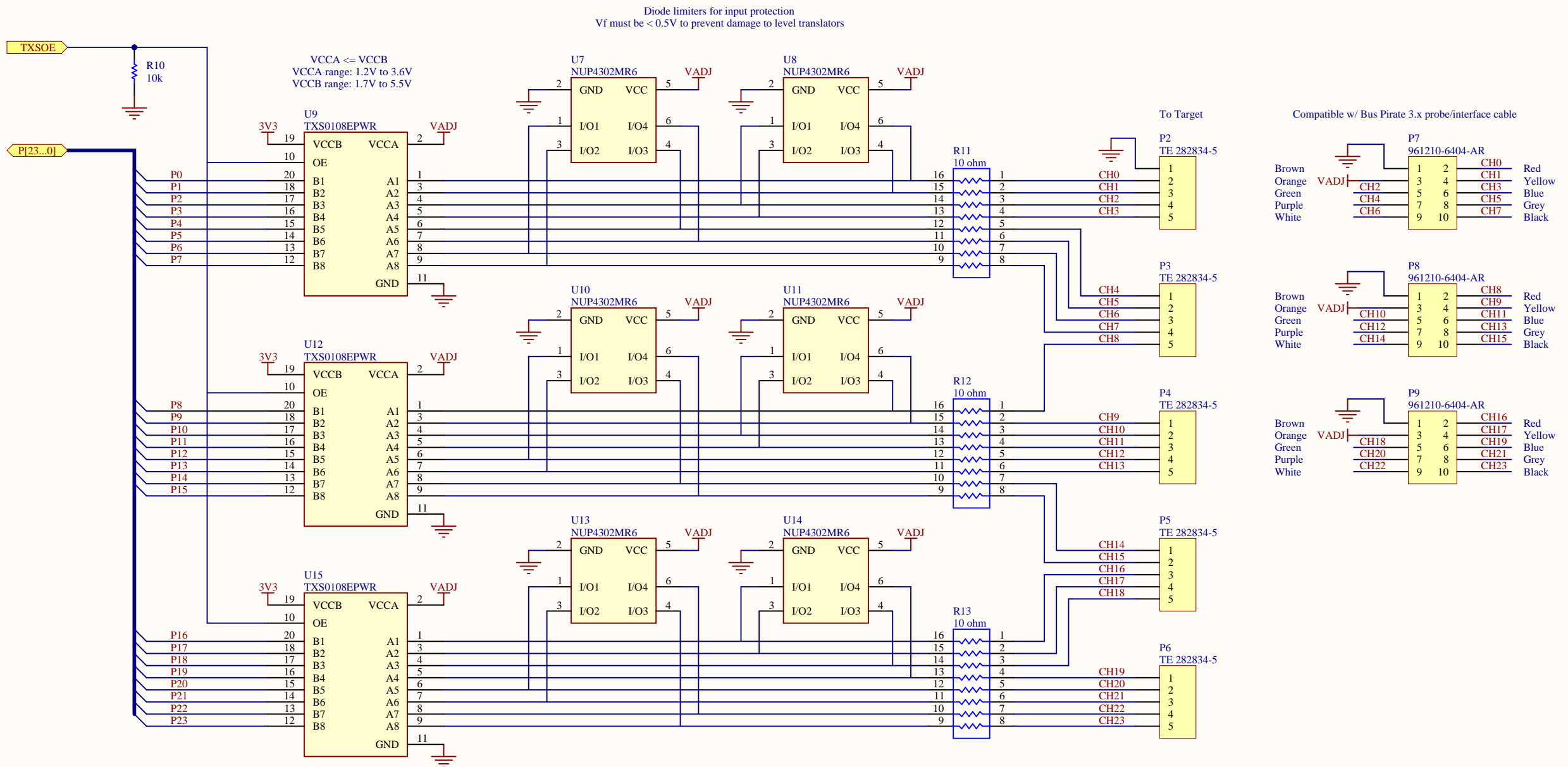
To Host
USB Mini B



NOTE: RESISTORS ARE IN OHMS +/- 5% AND CAPACITORS ARE IN MICROFARADS UNLESS OTHERWISE NOTED. SEE BOM FOR ACTUAL VOLTAGE AND SPECIFICATION.



TITLE JTAGulator: Main					
DATE 4/28/2023	FILENAME	SIZE B	SHT 1	OF 2	DRAWN BY Joe Grand
		REV C			



TITLE JTAGulator: Target Interface					
DATE 4/28/2023	FILENAME	SIZE B	SHT 2	OF 2	DRAWN BY Joe Grand
					REV C