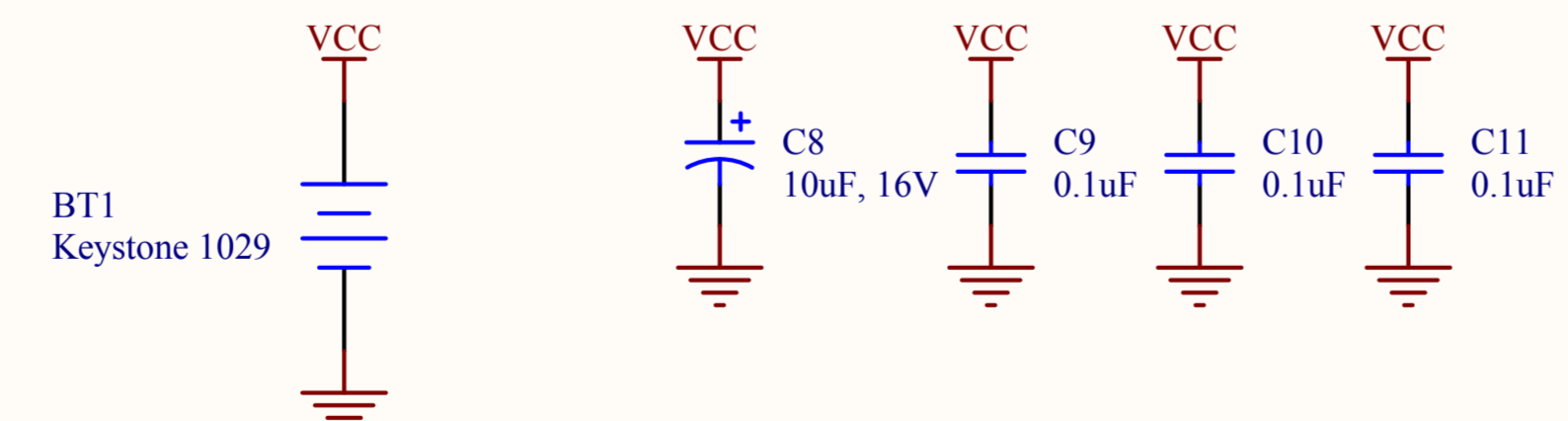


CR123A, 3V @ 1400mAh



NOTE: RESISTORS ARE IN OHMS +/- 5% AND CAPACITORS ARE IN MICROFARADS, X7R UNLESS OTHERWISE NOTED. SEE BOM FOR ACTUAL VOLTAGE AND SPECIFICATION.



TITLE DEFCON 16 Badge					
DATE 6/6/2008	FILENAME	SIZE B	SHT 1	OF 1	DRAWN BY Joe Grand
			REV 1.0		